

MAIN PARTICULARS

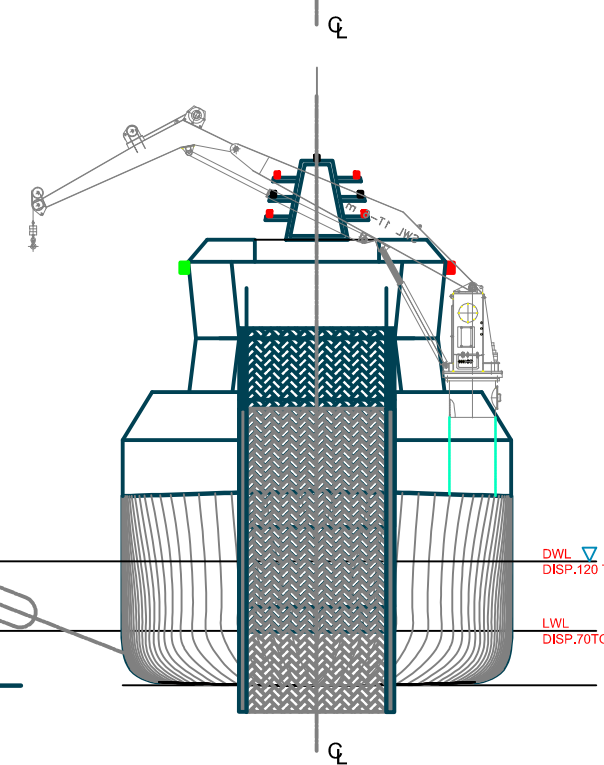
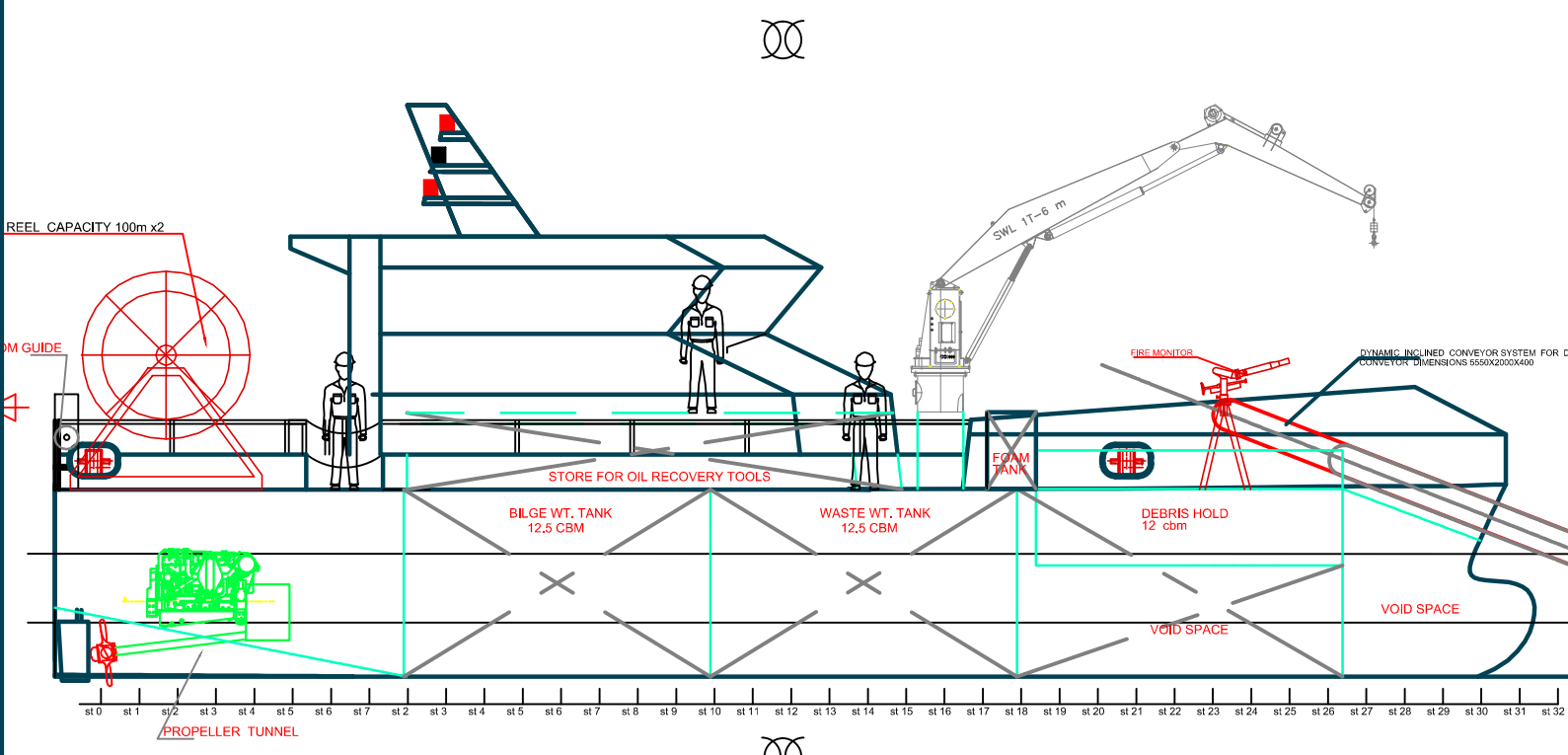
| |
|---|
| LOA :20 m |
| B :5 m |
| T :2.5 m |
| D :1.6 m LOADED (DISPLACEMENT 120 TON) m |
| D :0.7m LIGHTSHIP (DISPLACEMENT 70 TON) m |
| V : 8 KNOT SERVICE LOADED |
| V :10 KNOT MAX LOADED |
| FRAME SPACING 500 mm |

TANK CAPACITIES

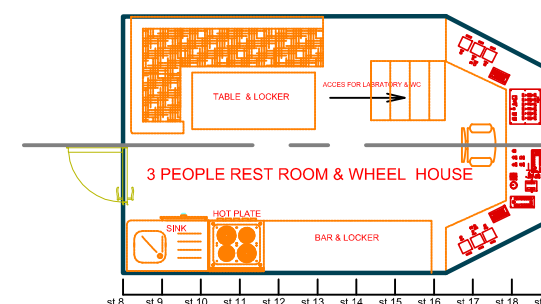
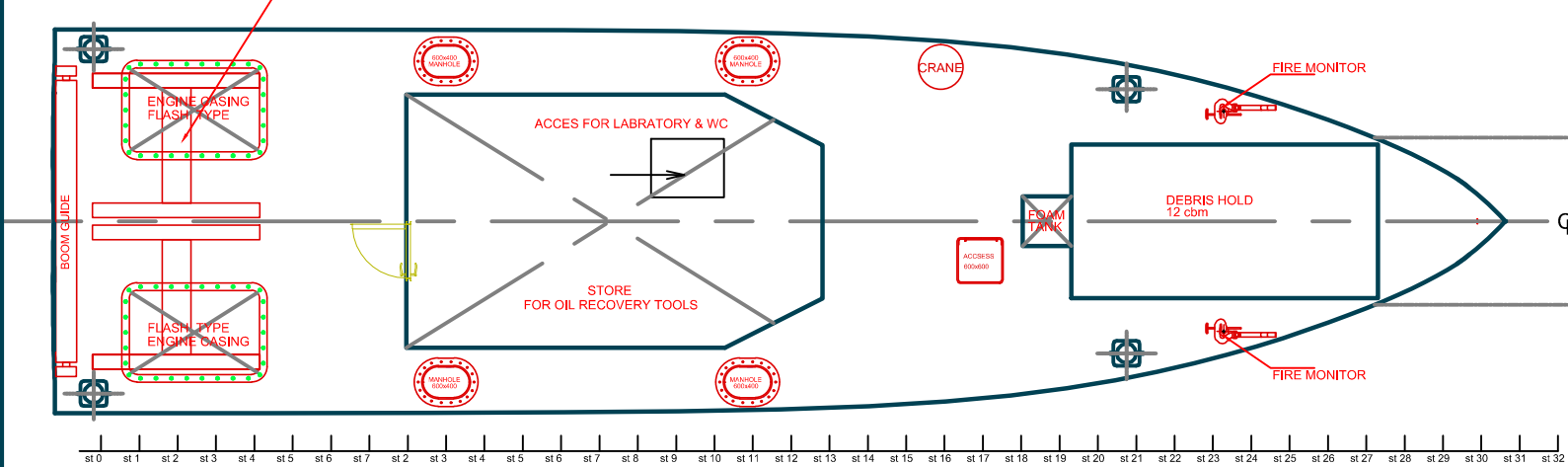
| |
|--|
| BILGE TANK CAPACITIES :12.5x2 CBM |
| WASTE WATER CAPACITIES :12.5x2 CBM |
| DIESEL OIL TANK CAPACITY : 1 cbm x2 ps/stb |
| SEWAGE TANK CAPACITY : 1.25 cbm center. |
| FRESH WATER TANK CAPACITY: 1.25 cbm center |
| FOAM TANK CAPACITY: 0,5 cbm center |

SHORT SPESIFICATION:

| |
|---|
| TYPE : OIL SPILL & DEBRIS COLLECTION VESSEL |
| GENERATOR CUMMINS-ONAN MDKB-R 22.5 1 PIECE |
| BOILER CAPACITY 100 kWa |
| HYDROULIC SYSTEM PUMPS DRIVEN BY ELECTRIC MOTOR |
| HULL: STEEL |
| HULL MATERIAL: A GRADE MILD STEEL |
| DEBRIS HOLD CAPACITY : 12 CBM |
| OILS-PILL CAPACITY 10 CBM PER HOUR. |
| OIL-SPILL SPEED 2-3 KNOT |
| MAIN ENGINE:2 x 455HP CUMMINS QSM-11 |
| FIRE PUMP 70 cbm /h engine driven |
| ENGINE TYPE: MEDIUM CONTINUOUS DUTY UP TO 2000 HOUR at %80 LOAD |
| BILGE PUMP 12.5 cbm/h |
| MACERATOR PUMP 12.5 cbm/h |
| Fixed CO2 system FM 200 |



PROFILE VIEW



WHEEL HOUSE PLAN

Ilker Ertugrul AKKAN
Genel Koordinatör
Gemi İnşa Mühendisi

Sahil Yolu Bulvarı Aydıntepe Mh.
Alize İş Merkezi No: 11 Kat: 1
D: 64 PK 34940 Tuzla/İST.

Tel : +90 216 493 33 03
Fax : +90 216 493 33 03
Mobil: +90 505 389 78 35
Mail : info@iea.gen.tr
Web : www.iea.gen.tr

This drawing, design concept, and specifications are property of ILKER ERTUGRUL AKKAN AND ARE FURNISHED ON A CONFIDENTIAL BASIS WITH AN EXPRESSED UNDERSTANDING THAT THEY WILL NOT BE COPIED IN A MANNER USED FOR MANUFACTURE, SOLD, TRANSFERRED, NOR USED TO THE DETRIMENT OF SAID FIRM WITHOUT WRITTEN PERMISSION. THE RECIPIENT FURTHER AGREES NOT TO DISCLOSE THESE CONTENTS HEREOF ANY OTHER PARTIES EXCEPT FOR THOSE SPECIFIC PURPOSES FOR WHICH THIS DRAWING HAS ISSUED.

| | | | |
|--|------------------|------------|---------|
| PROJECT NAME 20 m MONO HULL ANTI POLLUTION VESSEL | | | |
| SHIP NAME | | SHIP TYPE | |
| DESIGN ILKER ERTUGRUL AKKAN | SIGNATURE: | SCALE | CLASS |
| CONTROL ILKER ERTUGRUL AKKAN | PROJECT NR | PAPER SIZE | HULL NO |
| CAD ILKER ERTUGRUL AKKAN | DATE: 31.07.2010 | | |